

CAN-2088C FAQ

- Q1. Does CAN-2088C have function to 120-degree angle of the three-phase PWM output?...2
- Q2. Does CAN-2088C have a signal function using the outputs that a count is reached?.....3
- Q3. Do counters of CAN-2088C have minimum on/off times set?4
- Q4. How much delay of CAN-2088C from hardware input trigger to PWM output?.....5
- Q5. Can PWM output of CAN-2088C be with load current up to 1A ~ 2A?.....6



Q1. Does CAN-2088C have function to 120-degree angle of the three-phase PWM output?

A:

No, CAN-2088C doesn't the function for 120-degree angle of the three-phase PWM.
(2012/12/25, Randy)

Q2. Does CAN-2088C have a signal function using the outputs that a count is reached?

A:

No, CAN-2088C doesn't have the function which will use the output when a count is reached.

(2012/12/25, Randy)

Q3. Do counters of CAN-2088C have minimum on/off times set?

A:

No, counters of CAN-2088C don't have minimum on/off times set.

(2012/12/25, Randy)

Q4. How much delay of CAN-2088C from hardware input trigger to PWM output?

A:

The delay of CAN-2088C from hardware input trigger to PWM output is about 93 microseconds.

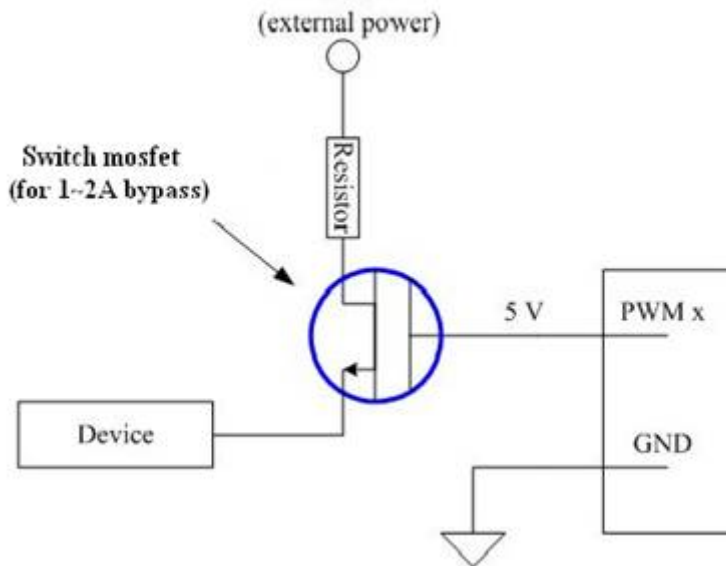
(2012/12/25, Randy)

Q5. Can PWM output of CAN-2088C be with load current up to 1A ~ 2A?

A:

Yes, please refer the below.

Add a switch MOSFET can achieve the load current up to 1A ~2A.



(2012/12/25, Randy)